

# Air-Driven, High Flow, High Pressure Liquid Pump

## Series AHL66-2D

Double-Acting, Dual Piston Air Drive

### Technical Data: Liquid Side Specifications

- Service: Oil, Water or Water/Oil mixture and other fluids depending on material compatibility
- Maximum Outlet Pressure: 13,300 PSI (917 bar)
- Air to Liquid Pressure Ratio: 1:133
- Isolation Chamber (prevents process contamination of air section): Standard
- Volume Displacement Per Stroke: 7.8 in<sup>3</sup> (127.8 cm<sup>3</sup>)
- Dual Inlet Connections: 1/2" FNPT
- Dual Outlet Connections: 1/2" FNPT  
(Contact Autoclave Engineers for Additional Options)

### Technical Data: Air Side Specifications

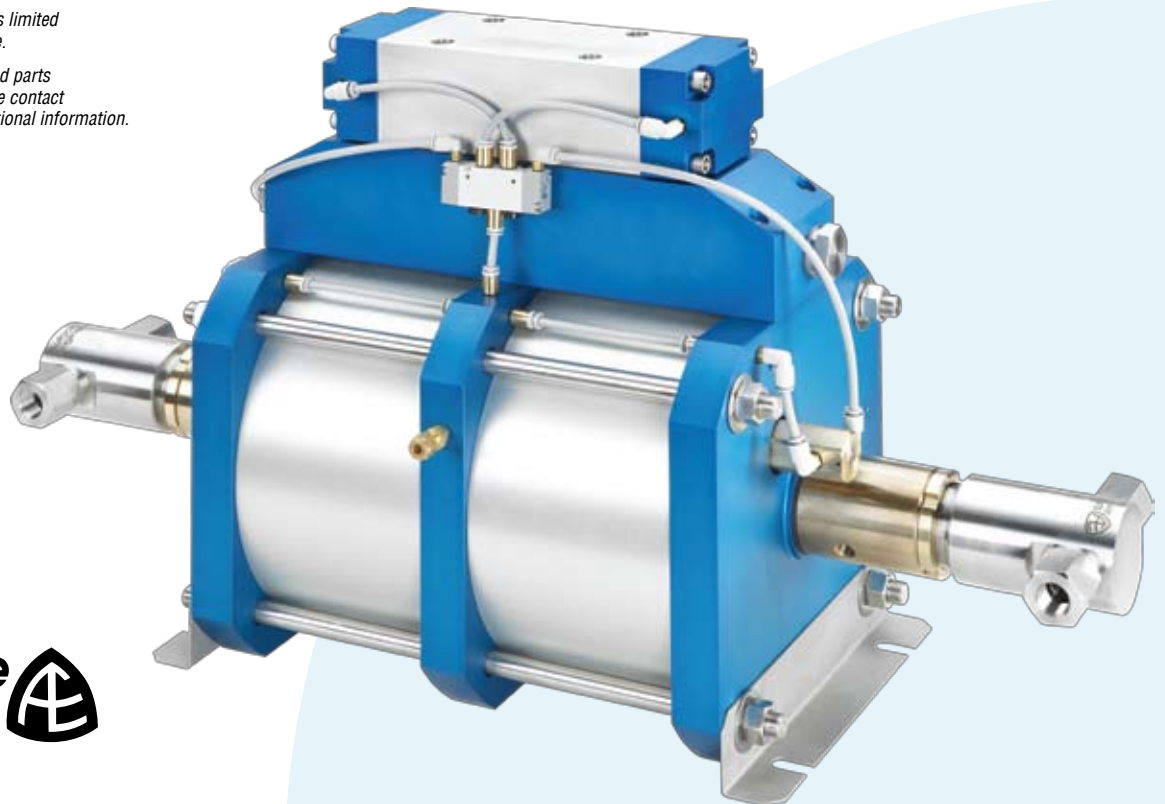
- Air Drive Pressure Range: 20-110 psi (1.4-7.6 bar) \*See note 1
- Nominal air pressure required for 13,300 PSI (917 bar) output pressure is 100 psi (6.9 bar)
- Inlet Port: 1" female FNPT
- Pilot Port: 1/8" female FNPT
- Exhaust Ports (mufflers removed): 1" female BSP
- Air Consumption @ 50 PSI air (0 PSI liquid): 290 SCFM
- Prelubricated at Factory

### General Specifications

- Operating Temperature: 0-150° F (-18° to 65° C)
- Net Weight: 160 lbs (73 kg)
- Pressure Head: 15-5 PH Stainless Steel
- Stainless steel plunger utilizing a proprietary multi-layer carbon based coating with diamond like carbon exterior layer - 3 times the hardness of stellite with a coefficient of friction equal to/less than PTFE
- Check Valve Glands: 316 Stainless Steel
- Liquid Seal: See Ordering Guide for options
- Air Drive Seals: Buna N

#### Notes:

1. Maximum air drive pressure is limited by maximum output pressure.
2. Alternative materials for wetted parts and seals are available, please contact Autoclave Engineers for additional information.



**Autoclave  
Engineers** 

Fluid Components  
Division of Snap-tite, Inc.  
[www.autoclave.com](http://www.autoclave.com)

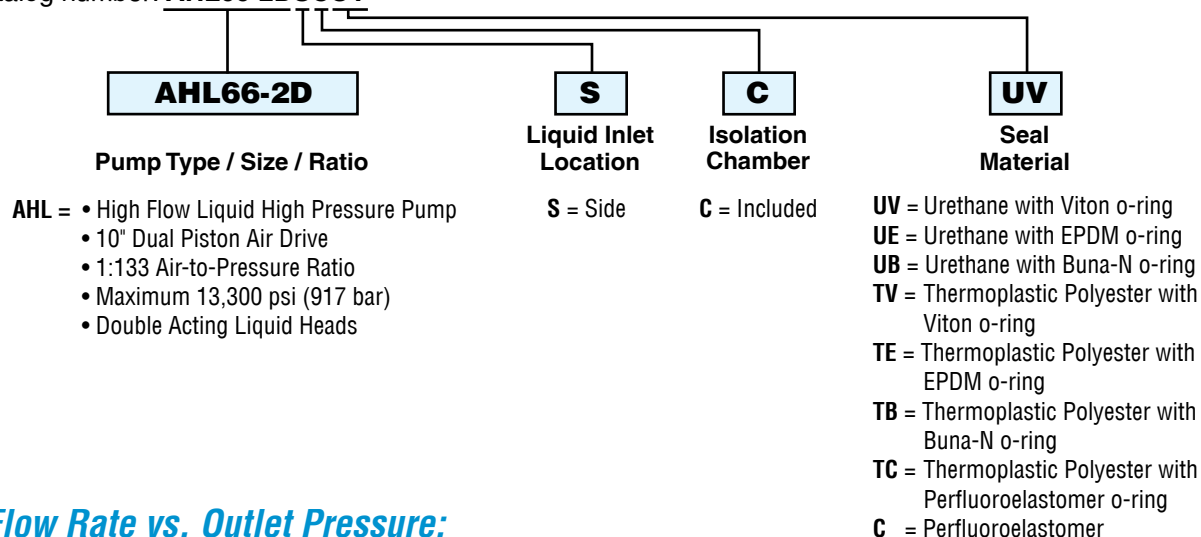
MADE IN THE U.S.A.

Double-Acting, Dual Piston Air Drive

## Ordering Guide:

For complete information on available pump options, contact Autoclave Engineers.

Typical catalog number: **AHL66-2DSCUV**



## Liquid Flow Rate vs. Outlet Pressure:

### AHL66-2DSC Series

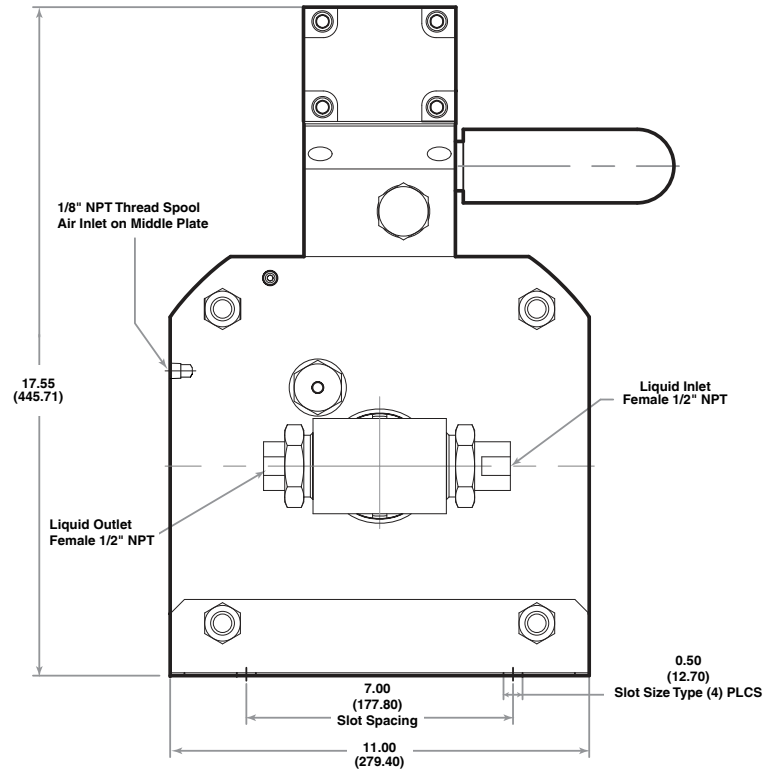
Approximate air drive pressure: 100 psi			
Pressure (PSI)	Pressure (bar)	Flow (gpm)	Flow (liter/min)
0	0	3.6* <i>see note 2</i>	13.7* <i>see note 2</i>
1000	69	3.4	12.9
2000	138	3.1	12.0
3000	207	2.9	11.2
4000	276	2.7	10.3
5000	345	2.5	9.5
6000	414	2.3	8.7
7000	483	2.2	8.2
8000	552	2.0	7.7
9000	621	1.8	6.7
10000	690	1.5	5.7
11000	759	1.3	4.8
12000	828	1.0	3.9

Nominal Liquid Pressure (Stalled)			
Air Drive Pressure		Liquid Pressure	
PSI	bar	PSI	bar
20	1.4	2660	183.4
30	2.1	3990	275.2
40	2.8	5320	366.9
50	3.4	6650	458.6
60	4.1	7980	550.3
70	4.8	9310	642.1
80	5.5	10640	733.8
90	6.2	11970	825.5
100	6.9	13300	917.2

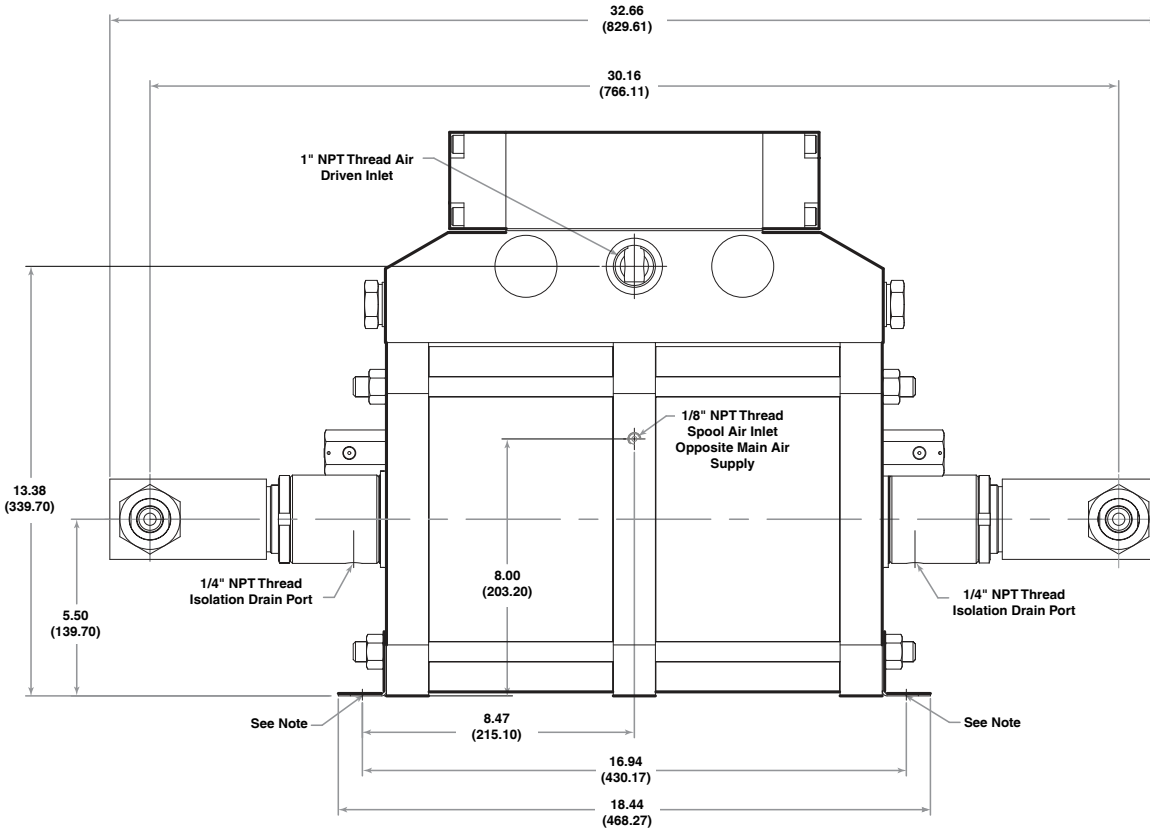
Notes:

- Actual flow rates will vary depending on air flow capacity, downstream flow restrictions, and fluid type.
- Flow value at approximately 50 psi air drive pressure.

**Dimensional Data:**



**Side View**



**Front View**

**Note:**

Each Mounting Bracket includes (2) x 0.50" (12.7) Slots for 7/16" Bolts.

Spool air tubing not shown for clarity.

All dimensions are for reference only and are subject to change without notice.

Primary Dimensions: Inches

Secondary Dimensions: (Millimeters)

## Accessories Available:

- Air Control Packages
- Pneumatic Pilot switches and Solenoid Valves
- Stroke Counter
- Relief Valve / Safety Heads
- Complete line of High Pressure Components - Valves, Fittings & Tubing
- Spare Parts
- Service



Typical Air Control Package



For complete information on available high pressure accessories, please contact Autoclave Engineers.

All general terms and conditions of sale, including limitations of our liability, apply to all products and services sold.

### ! WARNING !

FAILURE OR IMPROPER SELECTION OR IMPROPER USE OF THE PRODUCTS AND/OR SYSTEMS DESCRIBED HEREIN OR RELATED ITEMS CAN CAUSE DEATH, PERSONAL INJURY AND/OR PROPERTY DAMAGE.

This document and other information from Snap-tite, Inc., its subsidiaries and authorized distributors, provides product and/or system options for further investigation by users having technical expertise. It is important that you analyze all aspects of your application and review the information concerning the product or system in the current product catalog.

Due to the variety of operation conditions and applications for these products or systems, the user, through its own analysis and testing, is solely responsible for making the final selection of the products and systems and assuring that all performance, safety and warning requirements of the application are met.

The products described herein, including without limitation, product features, specifications, designs, availability and pricing, are subject to change by Snap-tite, Inc. and its subsidiaries at any time without notice.

 **Snap-tite**  
EUROPE

Industrial Estate  
Whitemill-Wexford  
Republic of Ireland  
PH: 353 53 914 1566 FAX: 353 53 914 1582  
e-mail: [ste\\_sales@snap-tite.com](mailto:ste_sales@snap-tite.com)  
[www.snap-tite.com](http://www.snap-tite.com)

**Autoclave Engineers** 

Fluid Components  
Division of Snap-tite, Inc.

8325 Hessinger Drive  
Erie, Pennsylvania 16509-4679 USA  
PH: 814-860-5700 FAX: 814-860-5811  
e-mail: [ae\\_sales@snap-tite.com](mailto:ae_sales@snap-tite.com)  
[www.autoclave.com](http://www.autoclave.com)