

Hand Lever/Air Driven, High Pressure Liquid Pump

Series ACHL189-01

Single-Acting, Single Piston Air Drive w/ Hand Lever

Manual Operation

- Pump comes standard with hand lever for precise pressure control, remote locations or emergency back-up applications.

Technical Data: Liquid Side Specifications

- Service: *Oil, Water or Water/Oil mixture and other fluids depending on material compatibility.*
- Maximum Outlet Pressure: *31,900 psi (2,200 bar)*
- Maximum Pressure Ratio: *1:213*
- Volume Displacement Per Stroke: *0.035 in³ (.57 cm³)*
- Inlet Connection: *3/8" FNPT*
- Outlet Connection: *Autoclave F250C-1/4" Female High Pressure*
(Contact Autoclave Engineers for Additional Options)

Technical Data: Air Side Specifications

- Pump can be operated with air even with manual hand lever attached
- Air Drive Pressure Range: *15-150 psi (1-10 bar)* *See note 1
- Nominal air pressure required for 31,900 psi (2,200 bar) output pressure is 148 psi (10 bar)
- Inlet Port: *1/4" FNPT*
- Exhaust Port (muffler removed): *1/4" FNPT*
- Air Consumption @ 90 psi: *20 SCFM*
- Prelubricated at Factory

General Specifications

- Maximum Operating Temperature: *0-140° F (-18° to 60° C)*
- Net Weight without Isolation Chamber: *9 lbs. (4.1 kg)*
- Pressure Head: *316 Stainless Steel*
- Plunger: *440 Stainless Steel*
- Check Valve Glands: *15-5PH Stainless Steel*
- Liquid Seal: *See Ordering Guide for options*
- Air Drive Seals: *Buna N*

Notes:

1. *Maximum air drive pressure is limited by maximum output pressure.*
2. *Alternative materials for wetted parts and seals are available, please contact Autoclave Engineers for additional information.*



Single-Acting, Single Piston Air Drive w/ Hand Lever

Bottom Inlet Shown



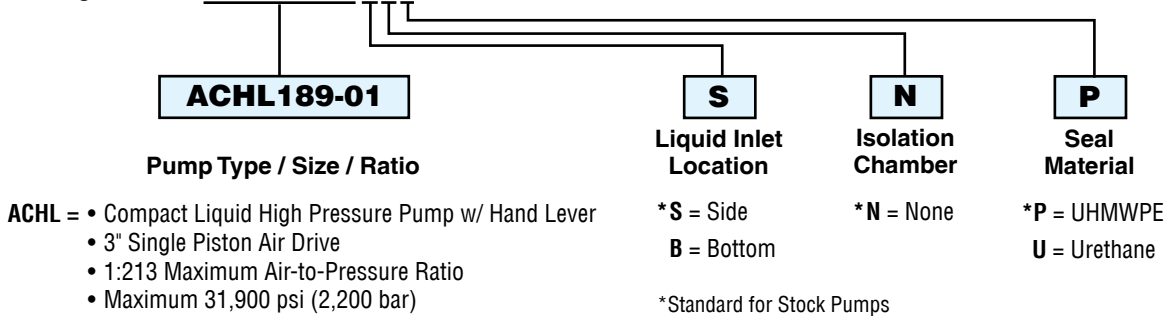
Fluid Components
Division of Snap-tite, Inc.
www.autoclave.com

MADE IN THE U.S.A.

Ordering Guide:

For complete information on available pump options, contact Autoclave Engineers.

Typical catalog number: **ACHL189-01SNP**

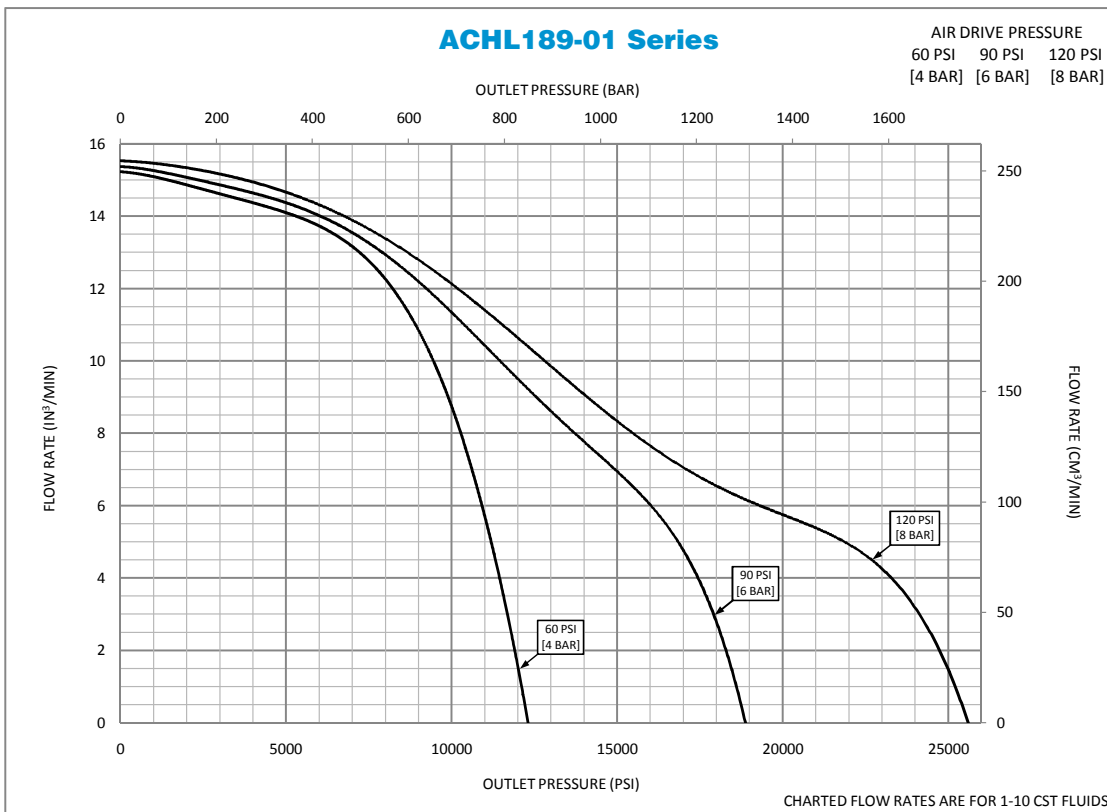


Air Pressure (PSI)	Stall Pressure (PSI)	Hand Lever Force (LBF)
20	3435	12
40	7890	21
60	12350	30
80	16810	39
100	21265	48
120	25725	57
148	31900	70

Stall Pressure Note:

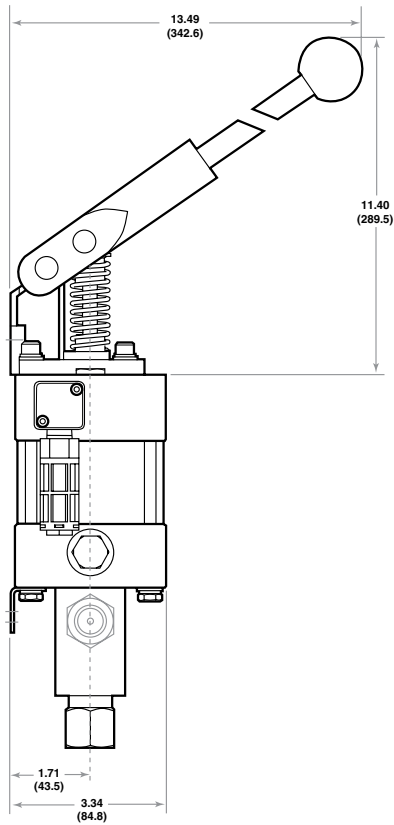
The pump's air piston is returned using a coil spring. Depending on the position of the piston during stall stroke, the stall pressure can vary ± 350 psi from the values shown on the chart. For precise pressure control, Autoclave recommends using the manual hand lever.

Flow Rate vs. Outlet Pressure:

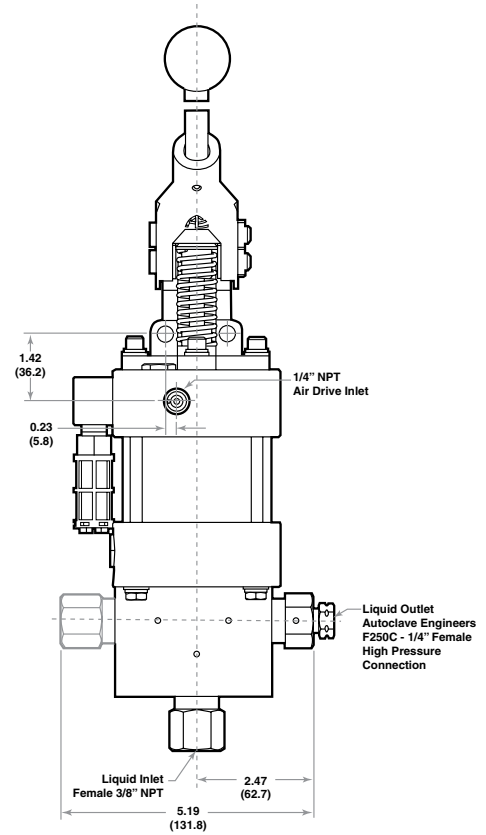


Actual flow rates will vary depending on air flow capacity, downstream flow restrictions, and fluid type.

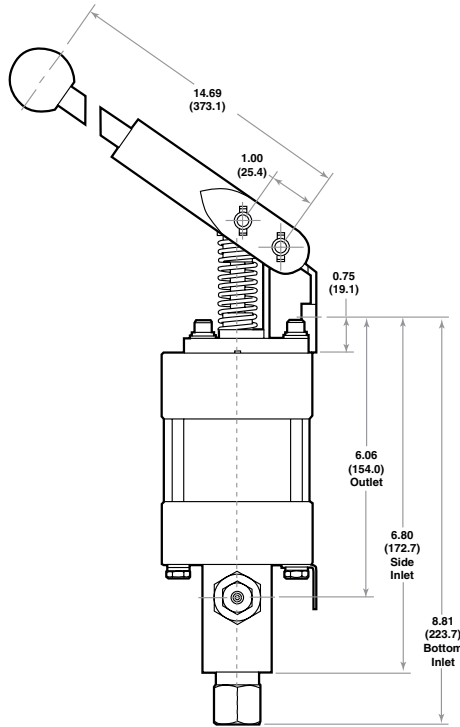
Dimensional Data:



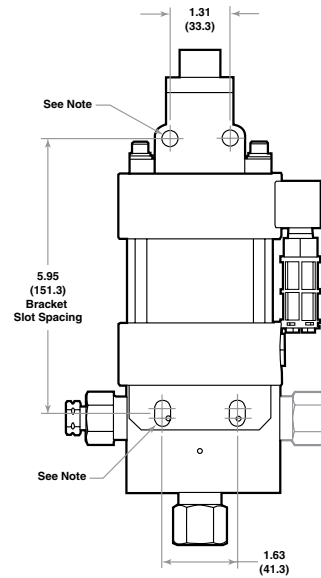
Left View



Front View



Right View



Back View

Note:

Each Mounting Bracket includes (2) 11/32" (8.73) holes for 5/16" Bolts.
 Bottom Inlet Pump Head and Side Inlet Pump Head are mutually exclusive.
 All dimensions are for reference only and are subject to change without notice.
 Primary Dimensions: Inches
 Secondary Dimensions: (Millimeters)

Accessories Available:

- Air Control Packages
- Pneumatic Pilot switches and Solenoid Valves
- Stroke Counter
- Relief Valve / Safety Heads
- Complete line of High Pressure Components - Valves, Fittings & Tubing
- Spare Parts
- Service



Typical Air Control Package



For complete information on available high pressure accessories, please contact Autoclave Engineers.

All general terms and conditions of sale, including limitations of our liability, apply to all products and services sold.

! WARNING !

FAILURE OR IMPROPER SELECTION OR IMPROPER USE OF THE PRODUCTS AND/OR SYSTEMS DESCRIBED HEREIN OR RELATED ITEMS CAN CAUSE DEATH, PERSONAL INJURY AND/OR PROPERTY DAMAGE.

This document and other information from Snap-tite, Inc., its subsidiaries and authorized distributors, provides product and/or system options for further investigation by users having technical expertise. It is important that you analyze all aspects of your application and review the information concerning the product or system in the current product catalog.

Due to the variety of operation conditions and applications for these products or systems, the user, through its own analysis and testing, is solely responsible for making the final selection of the products and systems and assuring that all performance, safety and warning requirements of the application are met.

The products described herein, including without limitation, product features, specifications, designs, availability and pricing, are subject to change by Snap-tite, Inc. and its subsidiaries at any time without notice.

 **Snap-tite**
EUROPE

Industrial Estate
Whitemill-Wexford
Republic of Ireland
PH: 353 53 914 1566 FAX: 353 53 914 1582
e-mail: ste_sales@snap-tite.com
www.snap-tite.com

Autoclave Engineers 

Fluid Components
Division of Snap-tite, Inc.

8325 Hessinger Drive
Erie, Pennsylvania 16509-4679 USA
PH: 814-860-5700 FAX: 814-860-5811
e-mail: ae_sales@snap-tite.com
www.autoclave.com