

Ball Valves

Actuators

Pneumatic Actuators

Electric Actuators

Parker Autoclave Engineers ball valves can be supplied with either pneumatic or electric operators for automated or remote operation.

Pneumatic and electric operators can be supplied with a variety of features and options. Operators are sized for each valve series to provide reliable and trouble free operation. Listed below are the operator features and available options.

Ball Valve Actuator Features/Options:

Pneumatic Operators

- Used for remote and automatic operation
- Air-to-open/spring-to-close
- Air-to-close/spring-to-open
- Air-to-open and close (double acting)
- Limit switches or limit switches with visual indicators available
- High temperature option available.
- Stainless steel housing for corrosive applications available.
- Optional solenoid valve available
- Standard anodized aluminum housing
- Optional epoxy coated housing available

Electric Operators

- Interface with control systems for automated operation and monitoring
- 120 & 220 VAC, 50/60 Hz standard
- 24VDC
- Explosion proof available
- CE mark available



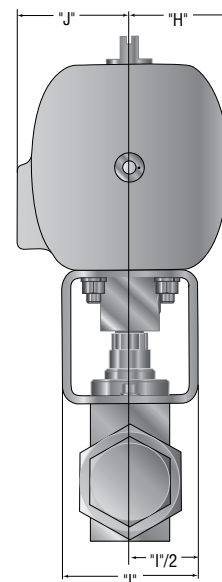
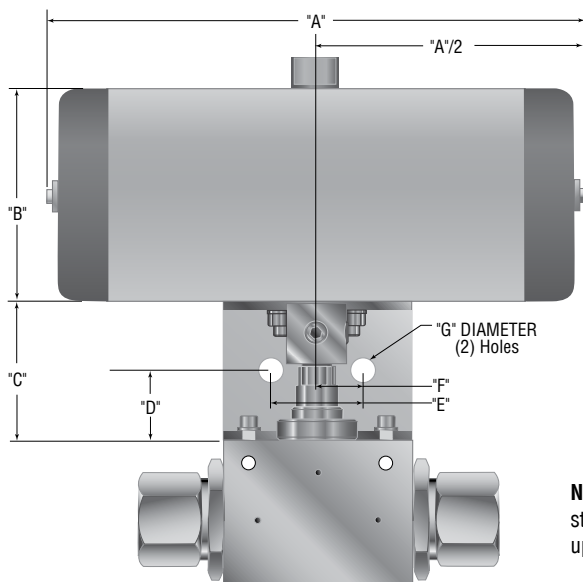
Pneumatic Operated Ball Valves

Add the suffix **-AO**, **-AC** or **-AOC** to the appropriate valve catalog number for a complete valve assembly

VALVE SERIES	DIMENSION DATA - Inches (mm)										MINIMUM REQUIRED
	"A"	"B"	"C"	"D"	"E"	"F"	"G"	"H"	"I"	"J"	AIR PRESSURE
2B4-AO/AC	6.69 (169.92)	2.56 (65.02)	2.50 (63.50)	1.25 (31.75)	1.00 (25.40)	0.50 (12.70)	0.28 (7.11)	1.14 (28.95)	2.50 (63.50)	1.58 (40.13)	80 psi (5.51 bar)
2B6-AO/AC	9.84 (249.93)	3.94 (100.07)	3.00 (76.20)	1.50 (38.10)	1.50 (25.40)	0.75 (19.05)	0.34 (8.63)	1.87 (47.49)	3.00 (76.20)	2.24 (56.89)	80 psi (5.51 bar)
2B8-AO/AC ★	11.65 (295.91)	4.57 (116.07)	3.00 (76.20)	1.50 (38.10)	2.00 (50.80)	1.00 (25.40)	0.53 (13.46)	2.17 (55.11)	3.00 (76.20)	2.48 (62.99)	80 psi (5.51 bar)
3BD3-AO/AC	6.69 (169.92)	2.56 (65.02)	2.50 (63.50)	1.25 (31.75)	1.00 (25.40)	0.50 (12.70)	0.28 (7.11)	1.14 (28.95)	2.50 (63.50)	1.58 (40.13)	80 psi (5.51 bar)
3BD6-AO/AC ★	9.84 (249.93)	3.94 (100.07)	3.00 (76.20)	1.50 (38.10)	1.50 (25.40)	0.75 (19.05)	0.34 (8.63)	1.87 (47.49)	3.00 (76.20)	2.24 (56.89)	80 psi (5.51 bar)
3BD8-AO/AC	11.65 (295.91)	4.57 (116.07)	3.00 (76.20)	1.50 (38.10)	2.00 (50.80)	1.00 (25.40)	0.53 (13.46)	2.17 (55.11)	3.00 (76.20)	2.48 (62.99)	80 psi (5.51 bar)
2B4-AOC	6.69 (169.92)	2.56 (65.02)	2.50 (63.50)	1.25 (31.75)	1.00 (25.40)	0.50 (12.70)	0.28 (7.11)	1.14 (28.95)	2.50 (63.50)	1.58 (40.13)	80 psi (5.51 bar)
2B6-AOC	7.95 (201.93)	3.07 (77.97)	3.00 (76.20)	1.50 (38.10)	1.50 (38.10)	0.75 (19.05)	0.34 (8.63)	1.40 (35.56)	3.00 (76.20)	1.77 (44.95)	80 psi (5.51 bar)
2B8-AOC	9.84 (249.91)	3.94 (100.07)	3.00 (76.20)	1.50 (38.10)	2.00 (50.80)	1.00 (25.40)	0.53 (13.46)	1.87 (47.49)	3.00 (76.20)	2.24 (56.89)	80 psi (5.51 bar)
3BD3-AOC	6.69 (169.92)	2.56 (65.02)	2.50 (63.50)	1.25 (31.75)	1.00 (25.40)	0.50 (12.70)	0.28 (7.11)	1.14 (28.95)	2.50 (63.50)	1.58 (40.13)	80 psi (5.51 bar)
3BD6-AOC	7.95 (201.93)	3.07 (77.97)	3.00 (76.20)	1.50 (38.10)	1.50 (25.40)	0.75 (19.05)	0.34 (8.63)	1.40 (35.56)	3.00 (76.20)	1.77 (44.95)	80 psi (5.51 bar)
3BD8-AOC	9.84 (249.91)	3.94 (100.07)	3.00 (76.20)	1.50 (38.10)	2.00 (50.80)	1.00 (25.40)	0.53 (13.46)	1.87 (47.49)	3.00 (76.20)	2.24 (56.89)	80 psi (5.51 bar)

- NOTE:
- Maximum allowable air pressure is 150 psi (10.34)
 - 1/8" NPT female air connector (* = 1/4" NPT)
 - AO: Air to open/spring to close
 - AC: Air to close/spring to open
 - AOC: Air to open/air to close (double acting)

- Actuators operating temperature: 0°F to 175°F (-17°C to 79°C)
- High temperature actuator option available, consult factory
- Stainless steel housing actuator models available, consult factory
- Actuators available with limit switches and visual indicators.
- Corrosion resistant anodized aluminum housing.
- Epoxy coated housing available.
- Solenoids available, direct or nipple mount.



NOTE: Operators 90° rotations standard. 180° options available upon request.

Ball Valves - Actuators

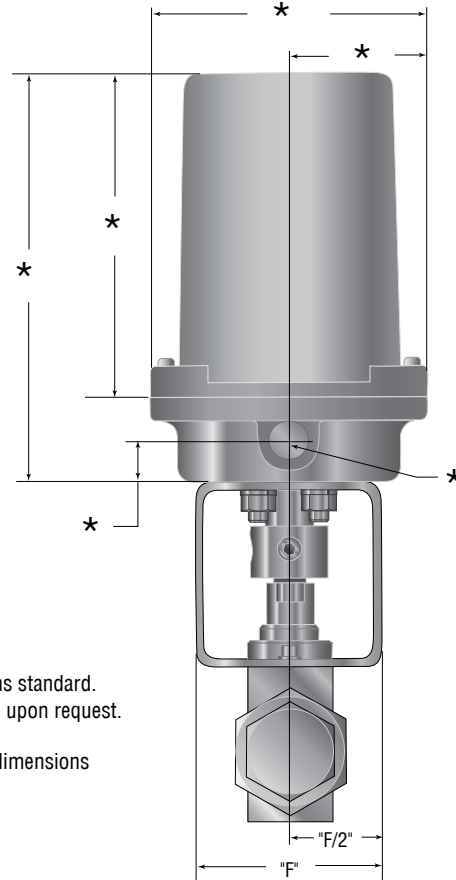
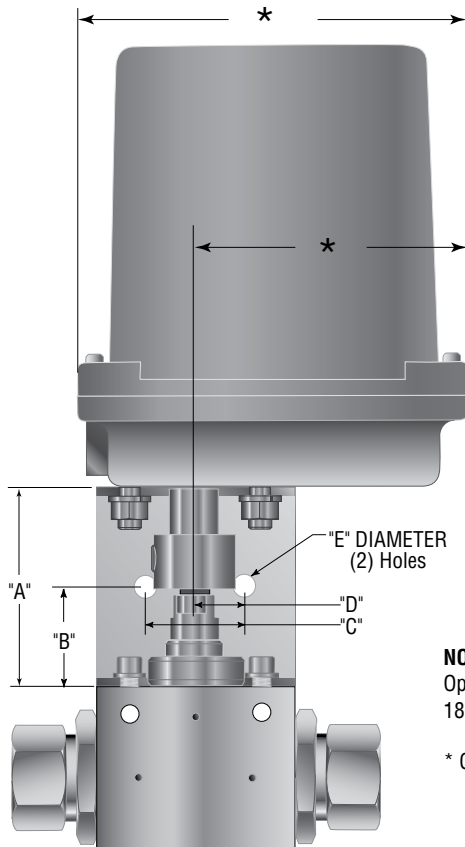
Electric Operated Ball Valves

Add the suffix **-E01**, **-E02** or **-E03** to the appropriate valve catalog number for a complete valve assembly

VALVE SERIES	DIMENSION DATA - Inches (mm)						VOLTAGE	
	"A"	"B"	"C"	"D"	"E"	"F"		
2B4-E01 2B4-E02	2.50 (63.50)	1.25 (31.75)	1.00 (25.40)	0.50 (12.70)	0.28 (7.11)	2.50 (63.50)	120 VAC 240 VAC	50/60 Hz
2B6-E01 2B6-E02	3.00 (76.20)	1.50 (38.10)	1.50 (38.10)	0.75 (19.05)	0.34 (8.63)	3.00 (76.20)	120 VAC 240 VAC	50/60 Hz
3BD3-E01 3BD3-E02	2.50 (63.50)	1.25 (31.75)	1.00 (25.40)	0.50 (12.70)	0.28 (7.11)	2.50 (63.50)	120 VAC 240 VAC	50/60 Hz
3BD6-E01 3BD6-E02	3.00 (76.20)	1.50 (38.10)	1.50 (38.10)	0.75 (19.05)	0.34 (8.63)	3.00 (76.20)	120 VAC 240 VAC	50/60 Hz
2B4-E03	2.50 (63.50)	1.25 (31.75)	1.00 (25.40)	0.50 (12.70)	0.28 (7.11)	2.50 (63.50)	24 VDC	
2B6-E03	3.00 (76.20)	1.50 (38.10)	1.50 (38.10)	0.75 (19.05)	0.34 (8.63)	3.00 (76.20)	24 VDC	
3BD3-E03	2.50 (63.50)	1.25 (31.75)	1.00 (25.40)	0.50 (12.70)	0.28 (7.11)	2.50 (63.50)	24 VDC	
3BD6-E03	3.00 (76.20)	1.50 (38.10)	1.50 (38.10)	0.75 (19.05)	0.34 (8.63)	3.00 (76.20)	24 VDC	

- NOTE:
- E01: Electric 120 VAC
 - E02: Electric 220 VAC
 - E03: Electric 24 VDC
 - CSA approved for NEMA 4 & 4X

- For other voltages consult factory
- Actuator operating temperature: 0°F to 160°F (-17°C to 71°C)
- Corrosive resistant Zytel housing
- Consult factory for epoxy option



NOTE:
Operators 90° rotations standard.
180° options available upon request.

* Contact factory for dimensions

Ball Valves - Actuators

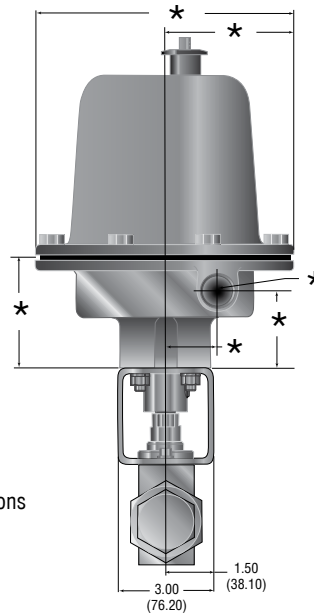
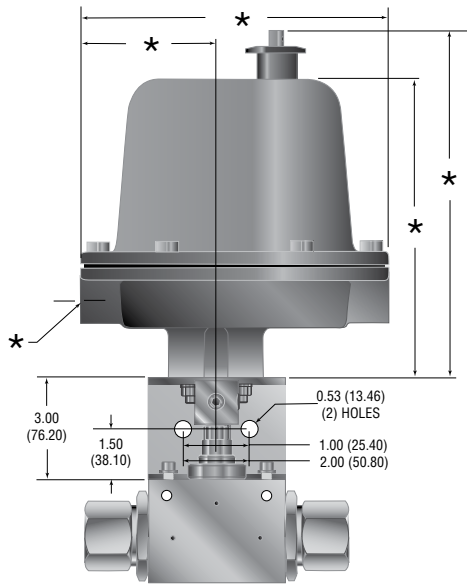
Electric Operated Ball Valves

Add the suffix -E01, -E02 or -E03 to the appropriate valve catalog number for a complete valve assembly

VALVE SERIES	VOLTAGE	VALVE SERIES	VOLTAGE
	50/60 HZ		
2B8-E01	120 VAC	2B8-E03	24 VDC
3BD8-E01	120 VAC	3BD8-E03	24 VDC
2B8-E02	220 VAC	2B8-E03	24 VDC
3BD8-E02	220 VAC	3BD8-E03	24 VDC

NOTE:

- E01: Electric 120 VAC
- E02: Electric 220 VAC
- E03: Electric 24 VDC
- Explosion proof
- Actuator operating temperature: 0°F to 160°F (-17°C to 71°C)
- Powder coated aluminum housing
- CE marked
- UL listed & CSA approved for NEMA 4, 4x, 7 & 9
- For other voltages consult factory



NOTE:

* Contact factory for dimensions

WARNING

FAILURE, IMPROPER SELECTION OR IMPROPER USE OF THE PRODUCTS AND/OR SYSTEMS DESCRIBED HEREIN OR RELATED ITEMS CAN CAUSE DEATH, PERSONAL INJURY AND PROPERTY DAMAGE.

This document and other information from Parker Hannifin Corporation, its subsidiaries and authorized distributors provide product and/or system options for further investigation by users having technical expertise. It is important that you analyze all aspects of your application and review the information concerning the product or system in the current product catalog. Due to the variety of operating conditions and applications for these products or systems, the user, through its own analysis and testing, is solely responsible for making the final selection of the products and systems and assuring that all performance, safety and warning requirements of the application are met. The products described herein, including without limitation, product features, specifications, designs, availability and pricing, are subject to change by Parker Hannifin Corporation and its subsidiaries at any time without notice.

Offer of Sale

The items described in this document are available for sale by Parker Hannifin Corporation, its subsidiaries or its authorized distributors. Any sale contract entered by Parker will be governed by the provisions stated in Parker's standard terms and conditions of sale (copy available upon request).



Instrumentation Products Division
 Autoclave Engineers Operation
 8325 Hessinger Drive
 Erie, Pennsylvania 16509-4679 USA
 PH: 814-860-5700 FAX: 814-860-5811
 www.autoclave.com

Parker Hannifin Manufacturing Ltd.
Instrumentation Products Division, Europe
 Industrial Estate Whitemill
 Wexford, Republic of Ireland
 PH: 353 53 914 1566
 FAX: 353 53 914 1582

Caution! Do not mix or interchange parts or tubing with those of other manufacturers. Doing so is unsafe and will void warranty.

Caution! Parker Autoclave Engineers Valves, Fittings and Tools are not designed to work with common commercial instrument tubing and will only work with tubing built to Parker Autoclave Engineers AES Specifications. Failure to do so will void warranty.

ISO-9001 Certified